

FEDERAL SUPPLY CLASS
4720

REV.
B

AS5962™

RATIONALE

REVISED SPHERICAL BALL SIZE REQUIREMENTS TO ELIMINATE THE STRAIGHT FITTINGS BALL SIZE.

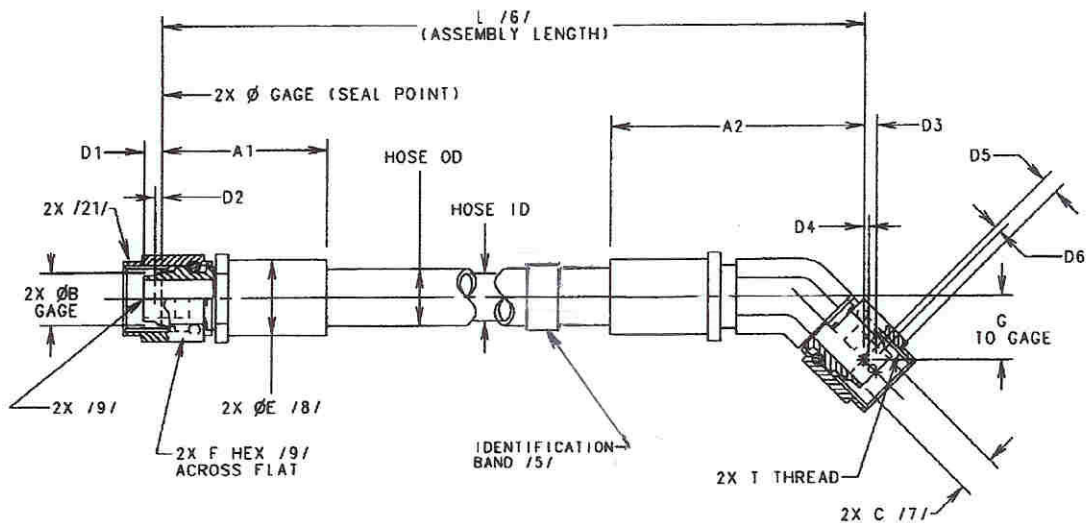


FIGURE 1 - HOSE ASSEMBLY DIMENSIONS

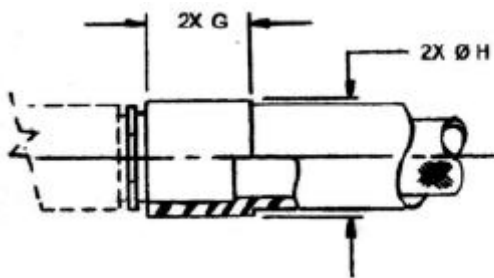
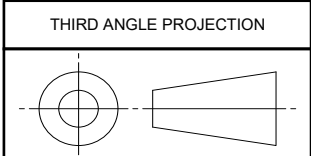


FIGURE 2 - INTEGRAL FIRESLEEVE CUFF /13/

For more information on this standard, visit
<https://www.sae.org/standards/content/AS5962B/>



CUSTODIAN: G-3/G-3D

PROCUREMENT SPECIFICATION: AS5960 /2/



AEROSPACE STANDARD

HOSE ASSEMBLY, POLYTETRAFLUOROETHYLENE
CRES BRAID REINFORCED, 400 °F, 5080 PSI
FLARELESS, STRAIGHT TO 45° ELBOW

AS5962™
SHEET 1 OF 5

REV.
B

SAE Executive Standards Committee Rules provide that: " This report is published by SAE to advance the state of technical and engineering sciences. The use of this report is entirely voluntary, and its applicability and suitability for any particular use, including any patent infringement arising therefrom, is the sole responsibility of the user." SAE reviews each technical report at least every five years at which time it may be revised, reaffirmed, stabilized, or cancelled. SAE invites your written comments and suggestions.

ISSUED 2004-12 REVISED 2021-04

TABLE 1 - HOSE ASSEMBLY DIMENSIONS

HOSE ASSEMBLY AS5962 SIZE CODE	SIZE	FITTING TYPE /17/	THREAD T PER AS8879	A1 MAX	A2 MAX	ØB GAGE BASIC	C HEX	(D1) /9/	(D2) /9/	(D3) /9/	(D4) /9/
E	.250	--	--	--	--	--	--	--	--	--	--
E	.250	S	.4375-28UNJ EF-3B	2.64	3.05	.2930	.56	.16	.055	.11	.039
E	.250	E	.5625-24UNJ EF-3B	2.74	3.09	.4120	.69	.16	.055	.11	.039
G	.375	R	.4375-28UNJ EF-3B	2.90	3.12	.2930	.56	.16	.055	.11	.039
G	.375	S	.5625-24UNJ EF-3B	2.94	3.16	.4120	.69	.16	.055	.11	.039
G	.375	E	.7500-20UNJ EF-3B	3.07	3.46	.5600	.88	.19	.066	.13	.047
H	.500	R	.5625-24UNJ EF-3B	3.19	3.62	.4120	.69	.16	.055	.11	.039
H	.500	S	.7500-20UNJ EF-3B	3.32	3.73	.5600	.88	.19	.066	.13	.047
H	.500	E	.8750-20UNJ EF-3B	3.39	3.75	.6730	1.00	.20	.066	.14	.047
J	.625	R	.7500-20UNJ EF-3B	3.55	4.00	.5600	.88	.19	.066	.13	.047
J	.625	S	.8750-20UNJ EF-3B	3.62	4.06	.6730	1.00	.20	.066	.14	.047
J	.625	E	1.0625-18UNJ EF-3B	3.87	4.16	.8100	1.25	.23	.066	.16	.047
K	.750	R	.8750-20UNJ EF-3B	3.89	4.36	.6730	1.00	.20	.066	.14	.047
K	.750	S	1.0625-18UNJ EF-3B	3.95	4.49	.8100	1.25	.23	.066	.16	.047
K	.750	E	1.3125-16UNJ-3B	4.06	4.53	1.0620	1.50	.30	.066	.21	.047
M	1.000	R	1.0625-18UNJ EF-3B	4.42	5.35	.8100	1.25	.23	.066	.16	.047
M	1.000	S	1.3125-16UNJ-3B	4.54	5.39	1.0620	1.50	.30	.066	.21	.047
M	1.000	E	1.6250-16UNJ-3B	4.64	5.82	1.3160	1.81	.30	.066	.21	.047
N	1.250	--	--	--	--	--	--	--	--	--	--
N	1.250	S	1.6250-16UNJ-3B	4.72	6.83	1.3160	1.81	.30	--	.21	--
N	1.250	--	--	--	--	--	--	--	--	--	--

TABLE 1 - HOSE ASSEMBLY DIMENSIONS (CONTINUED)

HOSE ASSEMBLY AS5962 - SIZE CODE	SIZE	FITTING TYPE /17/	(D5) /9/	(D6) /9/	E MIN	E MAX	ØF MAX /8/	FITTING BALL SIZE MIN THRU IN /7/
E	.250	--	--	--	--	--	--	--
E	.250	S	.16	.055	.328	.458	.88	.113
E	.250	E	.16	.055	.368	.498	.88	.113
G	.375	R	.16	.055	.328	.458	1.00	.113
G	.375	S	.16	.055	.368	.498	1.00	.192
G	.375	E	.19	.066	.487	.617	1.00	.192
H	.500	R	.16	.055	.368	.498	1.20	.192
H	.500	S	.19	.066	.487	.617	1.20	.281
H	.500	E	.20	.066	.500	.630	1.20	.281
J	.625	R	.19	.066	.487	.617	1.41	.281
J	.625	S	.20	.066	.500	.630	1.41	.349
J	.625	E	.23	.066	.586	.786	1.41	.349
K	.750	R	.20	.066	.500	.630	1.69	.349
K	.750	S	.23	.066	.586	.786	1.69	.434
K	.750	E	.30	.066	.631	.831	1.69	.434
M	1.000	R	.23	.066	.586	.786	2.00	.434
M	1.000	S	.30	.066	.631	.831	2.00	.638
M	1.000	E	.30	.066	.750	.950	2.00	.638
N	1.250	--	--	--	--	--	--	--
N	1.250	S	.30	--	.750	.950	2.25	.786
N	1.250	--	--	--	--	--	--	--

**AEROSPACE STANDARD**

HOSE ASSEMBLY, POLYTETRAFLUOROETHYLENE
CRES BRAID REINFORCED, 400 °F, 5080 PSI
FLARELESS, STRAIGHT TO 45° ELBOW

AS5962™
SHEET 2 OF 5

REV.
B